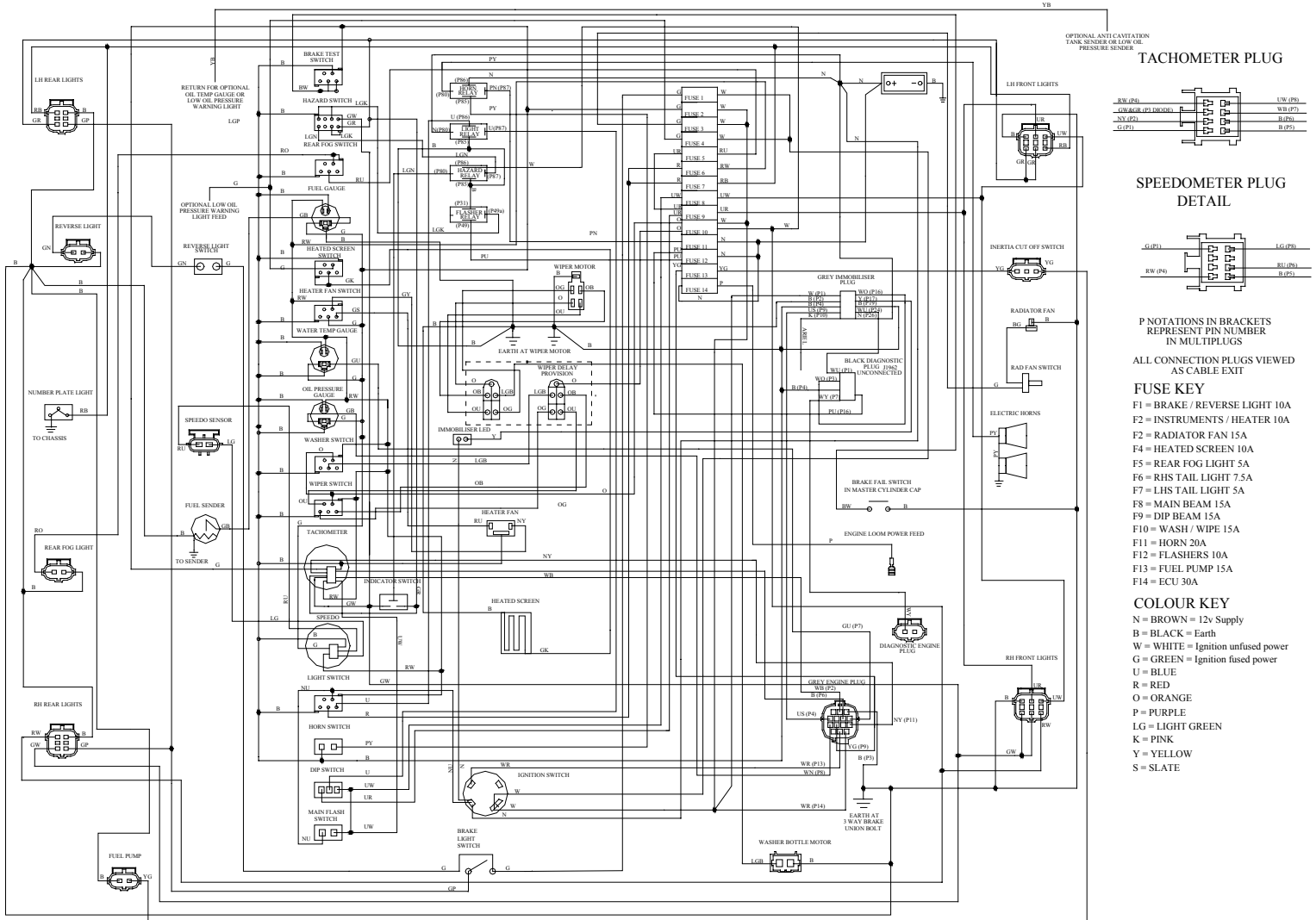
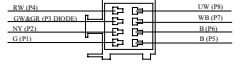


MAIN VEHICLE WIRING LOOM FOR ALL ROVER K SERIES VARIANTS, 2001 ONWARDS (EU2 AND EU3)

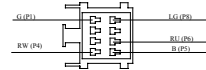


OPTIONAL ANTI-CAVITATION
TANK SENDER OR LOW OIL
PRESSURE SENDER

TACHOMETER PLUG



SPEEDOMETER PLUG DETAIL



P NOTATIONS IN BRACKETS
REPRESENT PIN NUMBER
IN MULTIPLUGS

ALL CONNECTION PLUGS VIEWED
AS CABLE EXIT

FUSE KEY

- F1 = BRAKE / REVERSE LIGHT 10A
- F2 = INSTRUMENTS / HEATER 10A
- F2 = RADIATOR FAN 15A
- F4 = HEATED SCREEN 10A
- F5 = REAR FOG LIGHT 5A
- F6 = RHS TAIL LIGHT 7.5A
- F7 = LHS TAIL LIGHT 5A
- F8 = MAIN BEAM 15A
- F9 = DIP BEAM 15A
- F10 = WASH / WIPE 15A
- F11 = HORN 20A
- F12 = FLASHERS 10A
- F13 = FUEL PUMP 15A
- F14 = ECU 30A

COLOUR KEY

- N = BROWN = 12v Supply
- B = BLACK = Earth
- W = WHITE = Ignition unfused power
- G = GREEN = Ignition fused power
- U = BLUE
- R = RED
- O = ORANGE
- P = PURPLE
- LG = LIGHT GREEN
- K = PINK
- Y = YELLOW
- S = SLATE